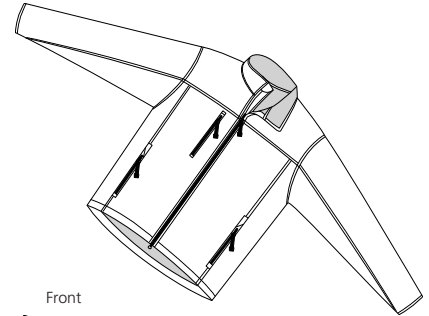
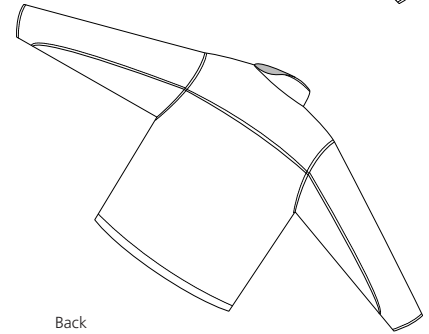


# Glacier Soft Shell Jacket

PORT AUTHORITY®



Front



Back

## J790

- \* 100% Polyester stretch woven shell fabric bonded to 100% Polyester Microfleece with a laminated film insert
- \* Wind and water resistant \* Front and chest zippered pockets
- \* Open bottom hem \* Lycra-trimmed cuffs

### Care Instructions:

Machine wash cold.  
Do not dry clean, do not iron.  
Do not bleach, do not tumble dry.

### Finished Measurements in Inches

Size	XS	S	M	L	XL	2XL	3XL	4XL
Length	27	27.5	28	29	30	31	31.5	32
Chest	20.5	22	24	25.5	27	28.5	30	31.5
Sleeve	31	33	35	36	37	37.5	38	38.5
Collar Ht	3	3	3	3	3	3	3	3
Chest Pkt	6	6	6	6.5	6.5	6.5	6.5	6.5
Areas for Decoration	Left Chest		Port Pocket™		NA			

Collar measured center back seam to top hem, Chest width 1" below arm hole, Side pocket from top to bottom of opening, Body length from back neck seam to hem, Sleeve length from center back seam to hem

### Colors

	Atlantic Blue/Chrome
	Black/Chrome
	Olive/Chrome

### Please Note:

Colors shown are approximate and for reference only. For closest match see PMS colors, or for exact match, returnable samples and grommeted samples are available.

### Color Chart

Jacket Colors	Atlantic Blue	Black	Olive
Textile PMS	18-4215TC	19-4006TC	18-0513TC
General PMS	7545C	Process Black	417C
Accent Colors	Chrome		
Textile PMS	16-4404TPX		
General PMS	Cool Grey 7C		